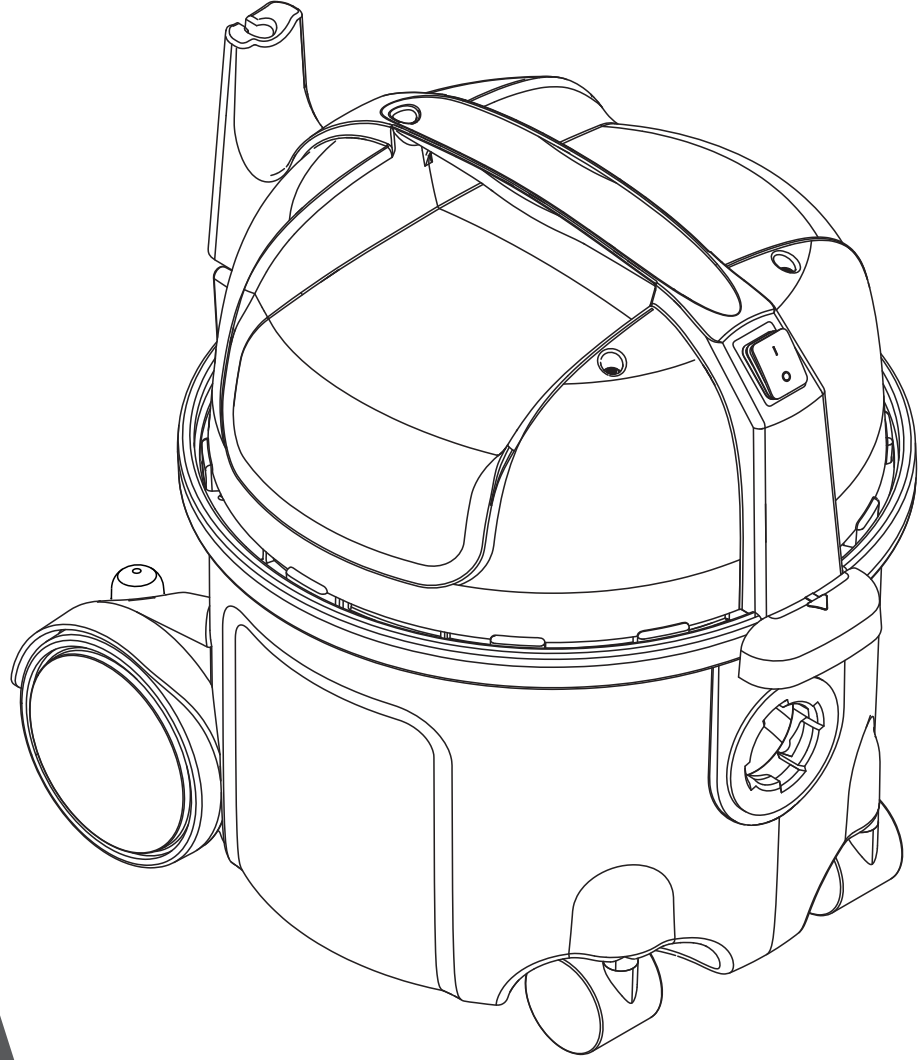


CE 107404503 F



INSTRUCTIONS FOR USE  
(ORIGINAL INSTRUCTION)

BRUGSANVISNING

BETRIEBSANLEITUNG

MODE D'EMPLOI

INSTRUCCIONES DE USO

VP300 SERIES



شريف صنعت پارسا



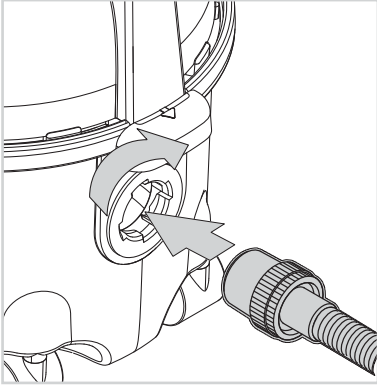
**Nilfisk**

trusted since 1906

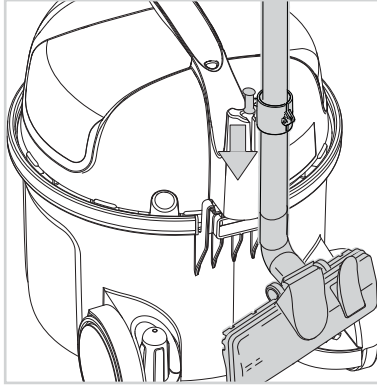


<b>EN</b>	Operating instructions .....	6
<b>DE</b>	Bedienungsanweisungen .....	9
<b>FR</b>	Instructions de fonctionnement .....	12
<b>NL</b>	Gebruiksaanwijzingen .....	15
<b>IT</b>	Istruzioni per l'uso .....	18
<b>NO</b>	Bruksanvisning .....	22
<b>SV</b>	Bruksanvisning .....	25
<b>DA</b>	Betjeningsvejledning .....	28
<b>FI</b>	Käyttöohje .....	31
<b>ES</b>	Instrucciones de funcionamiento .....	34
<b>PT</b>	Instruções de Funcionamento .....	38
<b>EL</b>	Οδηγίες λειτουργίας .....	41
<b>TR</b>	Kullanma Talimatları .....	45
<b>CS</b>	Návod k obsluze .....	50
<b>PL</b>	Instrukcje dotyczące obsługi .....	53
<b>HU</b>	Használati útmutató .....	56
<b>RO</b>	Instrucțiuni de utilizare .....	59
<b>BG</b>	Указания за експлоатация .....	62
<b>RU</b>	Руководство по эксплуатации .....	66
<b>ET</b>	Tööjuhised .....	69
<b>LV</b>	Norādījumi par ekspluatāciju .....	72
<b>LT</b>	Naudojimo instrukcija .....	75
<b>ZH</b>	操作说明 .....	78

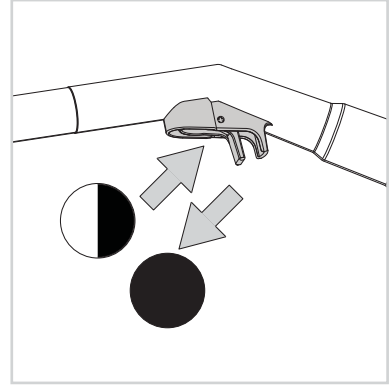
### 1 - Basic operations



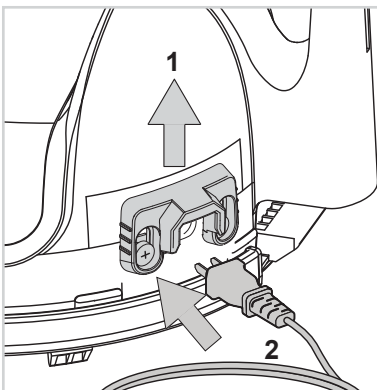
### 1.2



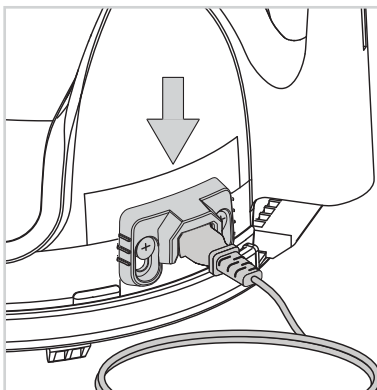
### 2 - Suction regulation



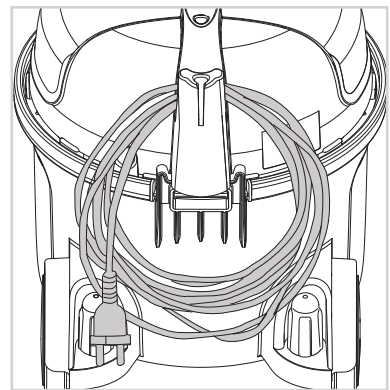
### 3 - Cordlock (HEPA)



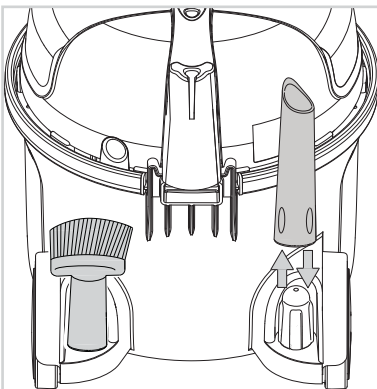
### 3.1



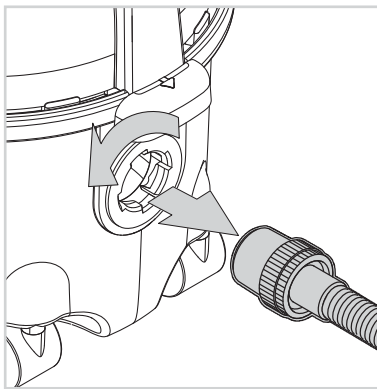
### 4 - Wind up the cord starting from the machine



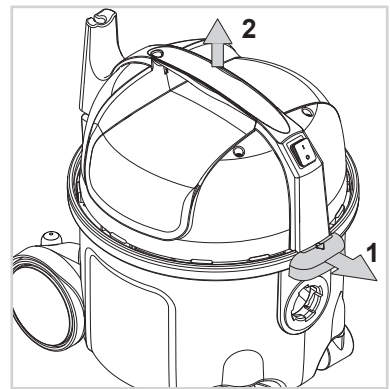
### 5 - Accessories parking



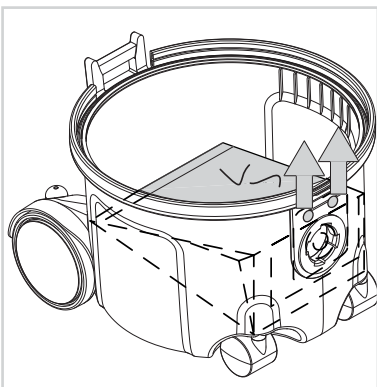
### 6 - Dust bag replacement



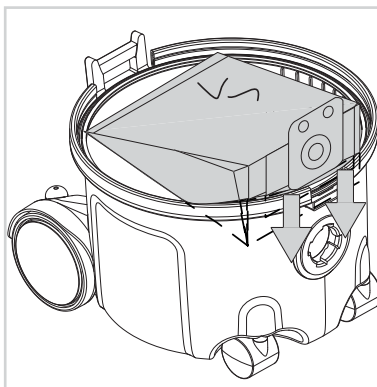
### 6.1



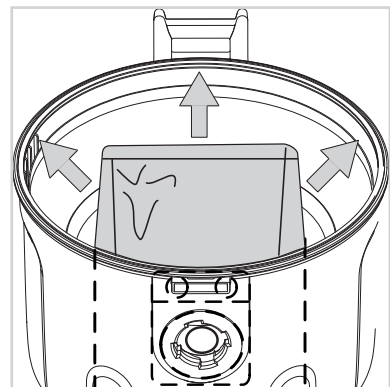
### 6.2



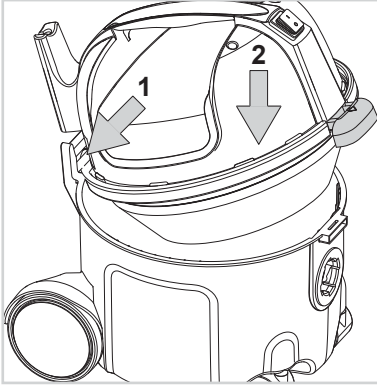
### 6.3



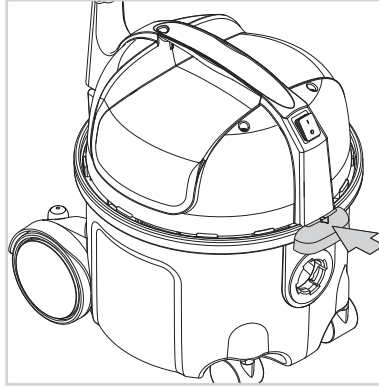
### 6.4



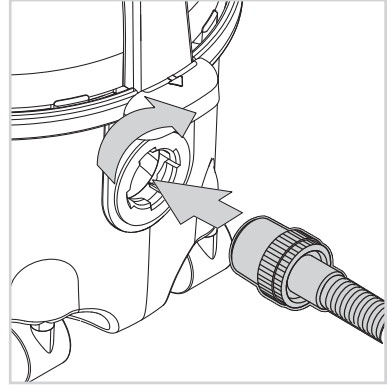
6.5



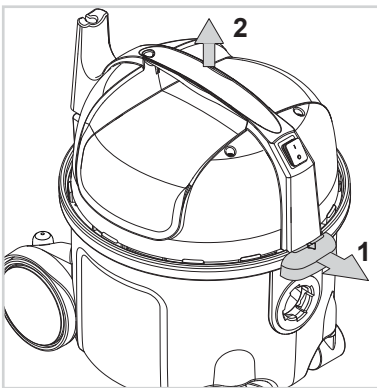
6.6



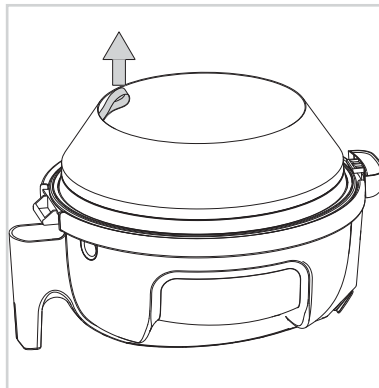
6.7



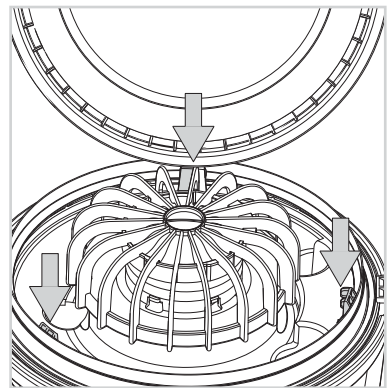
7 - Sack filter



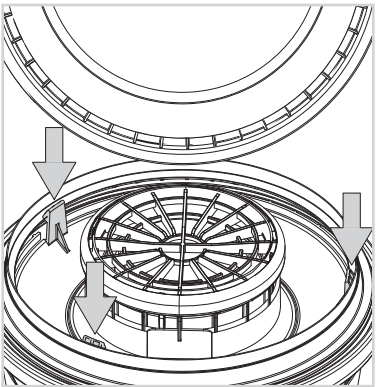
7.1



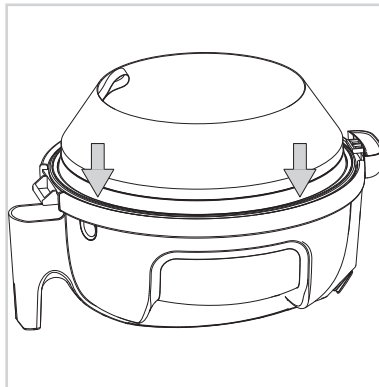
7.2 (eco)



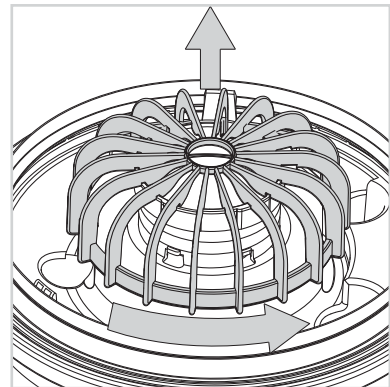
7.2 (HEPA)



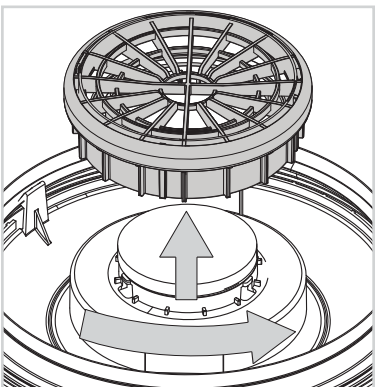
7.3



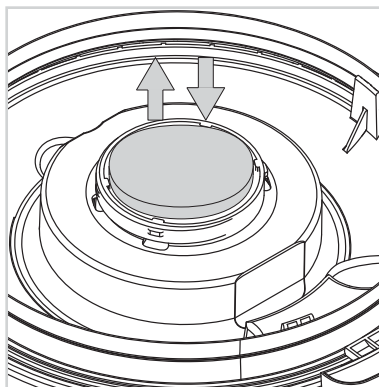
8 - Motor filter (eco)



8 - Motor filter (HEPA)



8.1



# English

## Instructions for use



Prior to using the appliance for the first time, be sure to read this document through and keep it ready to hand.

Before using the vacuum cleaner make sure that the voltage shown on the rating plate on the vacuum cleaner corresponds with the main voltage.

This machine is intended for commercial use, for example in hotels, schools, hospitals, factories, shops, offices and rental businesses.

## Purpose and intended use

The appliance is suitable for picking up dry, non-flammable dust.

## Symbols used to mark instructions

### WARNING



Danger that can lead to serious injuries or even death.

### CAUTION



Danger that can lead to minor injuries and damage.

## Important warnings

### WARNING



- The vacuum cleaner must not be used for the suction of water, liquids or inflammable gases.
- No changes to the mechanical, electrical or thermal safety devices must be made.
- This appliance can be used by children aged from 8 years and above and persons with reduced physical, sensory or mental capabilities or lack of experience and knowledge if they have been given supervision or instruction concerning use of the appliance in a safe way and understand the hazards involved.
- Children shall be supervised to make sure that they do not play with the appliance.
- Cleaning and user maintenance shall not be made by children without supervision.
- Operators shall be adequately instructed on the use of this machine.
- This machine is for dry use only.

### CAUTION



- This machine is for indoor use only.
- This machine shall be stored indoors only.

This machine is equipped with a thermal cut-out to protect the motor and other vital machine parts from overheating. Should the machine cut out, you will have to wait at least 45 minutes for it to automatically reset. While you are waiting, switch the machine off and unplug it, then check the hose, dust bag and filters to be sure that nothing is blocking the flow of air through the machine.

The VP300 HEPA is not a HEPA certified machine and should not be used in cleaning environments where approved sealed HEPA machines need to be used.

VP300 HEPA: The vacuum cleaner is supplied with a paper dust bag already in place. Never use the vacuum cleaner without a properly fitted dust bag.

## Electrical connection

### WARNING



- The vacuum cleaner must not be used if the electrical cable or plug show any sign of damage. Regularly inspect the cable and the plug for damage. If this becomes damaged, it should be repaired only by Nilfisk or an authorised Nilfisk Service Dealer, in order to avoid a hazard.
- Do not handle the electrical cable or plug with wet hands.
- Do not unplug by pulling on cable. To unplug, grasp the plug, not the cable. The plug must always be removed from the socket outlet before starting any service or repair work of the machine or the cable.

## Hazardous materials

### WARNING



Vacuumping up hazardous materials can lead to serious or even fatal injuries.

The following materials must not be picked up by the vacuum cleaner:

- hazardous dust
- hot materials (burning cigarettes, hot ash, etc.)
- flammable, explosive, aggressive liquids (e.g. petrol, solvents, acids, alkalis, etc.)
- flammable, explosive dust (e.g. magnesium or aluminum dust, etc.)

## Maintenance

Always keep the cleaner in a dry place. The cleaner is designed for continuous heavy work. Depending on the number of running hours – the dust filters should be renewed. Keep the container clean with a dry cloth, and a small amount of spray polish.

For details of after sales service contact Nilfisk directly.

## Warranty

Our general conditions of business are applicable with regard to the guarantee.

Unauthorised modifications to the appliance, the use of incorrect brushes in addition to using the appliance in a way other than for the intended purpose exempt the manufacturer from any liability for the resulting damage.



As specified in European Directive 2002/96/EC on old electrical and electronic appliances, used electrical goods must be collected separately and recycled ecologically.

Contact your local authorities or your nearest dealer for further information.

## Specifications

		VP300 eco						VP300 HEPA					THOR	
		EU	UK	CN	AU	ZA	US	JP	EU 1	EU 2	UK	AU	CN	EU
Voltage	V	220-240				110-120	100	220-240					220	220-240
Mains frequency	Hz	50/60											50	50/60
Power consumption IEC	W	900					1200					900		
Suction power, with hose+tube	W	200			185	170	260					200		
Air flow rate	l/min	1920				1740		1920					1920	
Vacuum	kPa	23			21	19	23					23		
Sound pressure level, IEC 60704-2-1	dB(A)	69 ± 2											69 ± 2	
Sound pressure, BS 5415	dB(A)	50 ± 2											50 ± 2	
Power cord: Length	m	10				15		10					10	
Insulation class		II											II	
Type of protection		IP 20											IP 20	
Dust bag net filling	l	8					7,5					8		
Width	mm	340											340	
Depth	mm	395											395	
Height	mm	390											390	
Weight, cleaner only	kg	5,2					5,3					5,2		
Filter		Sack					Sealed HEPA					Sack		

Specifications and details are subject to change without prior notice.

 <b>EU Declaration of Conformity</b>	
<b>Product:</b>	Vacuum cleaner
<b>Type:</b>	VP300
<b>The design of the unit corresponds to the following pertinent regulations:</b>	EC Machine Directive 2006/42/EC EC EMC Directive 2004/108/EC EC RoHS Directive 2011/65/EC
<b>Applied international standards and technical specifications:</b>	EN 60335-1: 2002+A1+A11+A2+A12+A13+A14 EN 60335-2-69: 2009 EN 62233: 2008 EN 55014-1: 2006+A1: 2009 EN 55014-2: 1997+A1: 2001+A2: 2008 EN 61000-3-2: 2006+A1: 2009+A2: 2009 EN 61000-3-3: 2008
<b>Applied international standards and technical specifications:</b>	IEC 60335-1:2001+A1+A2 IEC 60335-2-69:2002+A1+A2 IEC 62233: 2005
<b>Name and address of the person authorised to compile the technical file:</b>	Anton Sørensen General Manager, Technical Operations EAPC  Nilfisk-Advance A/S Sognevej 25 DK-2605 Brøndby
<b>Identity and signature of the person empowered to draw up the declaration on behalf of the manufacturer:</b>	 Anton Sørensen General Manager, Technical Operations EAPC  Nilfisk-Advance A/S Sognevej 25 DK-2605 Brøndby
<b>Place and date of the declaration:</b>	H:



**HEAD QUARTER****DENMARK**

Nilfisk-Advance A/S  
Sognevej 25  
DK-2605 Brøndby  
Tel.: (+45) 4323 8100  
www.nilfisk-advance.com

**SALES COMPANIES****ARGENTINA**

Nilfisk – Advance S.R.L.  
Herrera 1855 6º piso Of. A-604  
CP 1293 – Ciudad Autónoma de Buenos Aires  
www.nilfisk.com.ar

**AUSTRALIA**

Nilfisk-Advance  
Unit 1, 13 Bessemer Street Blacktown  
NSW 2148 Australia  
www.nilfisk.com.au

**AUSTRIA**

Nilfisk-Advance  
Metzgerstrasse 68  
A-5101 Bergheim/Salzburg  
www.nilfisk.at

**BELGIUM**

Nilfisk-Advance NV/SA.  
Riverside Business Park  
Boulevard Internationale 55  
Bruxelles 1070  
www.nilfisk.be

**CHILE**

Nilfisk-Advance S.A.  
San Alfonso 1462, Santiago  
www.nilfisk.com

**CHINA**

Nilfisk-Advance Cleaning Equipment (Shanghai) Ltd.  
No. 4189 Yindu Road  
Xinzhuang Industrial Park  
Shanghai 201108  
www.nilfisk.cn

**CZECH REPUBLIC**

Nilfisk-Advance s.r.o.  
VGP Park Horní Pocernice  
Budova H2, Do Certous 1  
Praha 190 00  
www.nilfisk.cz

**DENMARK**

Nilfisk Danmark  
Sognevej 25  
DK-2605 Brøndby  
www.nilfisk-advance.com

**FINLAND**

Nilfisk-Advance Oy Ab  
Koskelontie 23E  
02920 Espoo  
www.nilfisk.fi

**FRANCE**

Nilfisk-Advance  
26 Avenue de la Baltique  
Villebon sur Yvette  
BP 246  
91944 Courtaboeuf Cedex  
www.nilfisk.fr

**GERMANY**

Nilfisk  
eine Marke der Nilfisk-Advance GmbH  
Siemensstraße 25-27  
25462 Rellingen  
www.nilfisk.de

**GREECE**

Nilfisk-Advance A.E.  
8, Thoukididou Str.  
Argiroupoli, Athens, GR-164 52  
www.nilfisk.gr

**HOLLAND**

Nilfisk-Advance BV  
Versterkerstraat 5  
1322 AN Almere  
www.nilfisk.nl

**HONG KONG**

Nilfisk-Advance Ltd.  
Room 2001 HK Worsted Mills, Industrial Building  
31-39 Wo Tong Tsui Street  
Hong Kong, Kwai Chung, N.T.  
www.nilfisk.com

**HUNGARY**

Nilfisk-Advance Kereskedelmi Kft.  
H-2310 Szigetszentmiklós-Lakihegy  
II. Rákóczi Ferenc út 10  
www.nilfisk.hu

**INDIA**

Nilfisk-Advance India Limited  
Pramukh Plaza, "B" Wing, 4th floor, Unit No. 403  
Cardinal Gracious Road, Chakala  
Andheri (East), Mumbai 400 099  
www.nilfisk.com

**IRELAND**

Nilfisk-Advance  
1 Stokes Place  
St. Stephen's Green  
Dublin 2, Ireland  
www.nilfisk.ie

**ITALY**

Nilfisk-Advance S.p.A.  
Strada Comunale della Braglia, 18  
26862 Guardamiglio (LO)  
www.nilfisk.it

**JAPAN**

Nilfisk-Advance Inc.  
1-6-6 Kita-shinyokohama  
Kouhoku-ku  
Yokohama, 223-0059  
www.nilfisk-advance.co.jp

**KOREA**

Nilfisk-Advance Korea  
471-4, Kumwon B/D 2F  
Gunja-Dong, Gwangjin-Gu, Seoul  
www.nilfisk-advance.kr

**MALAYSIA**

Nilfisk-Advance Sdn Bhd  
SD 33, Jalan KIP 10  
Taman Perindustrian KIP  
Sri Damansara  
52200 Kuala Lumpur  
Malaysia  
www.nilfisk.com

**MEXICO**

Nilfisk Advance de Mexico S. de R.L. de C.V.  
Agustin M. Chavez 1, PB-004  
Col. Centro Ciudad Santa Fe  
C.P. 01210 México, D.F.  
www.nilfisk-advance.com.mx

**NEW ZEALAND**

Nilfisk-Advance NZ Ltd  
Danish House  
6 Rockridge Avenue  
Penrose Auckland NZ 1135  
www.nilfisk.com.au

**NORWAY**

Nilfisk-Advance AS  
Bjørnerudveien 24  
N-1266 Oslo  
www.nilfisk.no

**PORTUGAL**

Nilfisk-Advance  
Sintra Business Park  
Zona Industrial Da Abrunheira  
Edificio 1, 1º A  
P2710-089 Sintra  
www.nilfisk.pt

**RUSSIA**

Nilfisk-Advance LLC  
Vyatskaya str. 27, bld. 7, 1st floor  
Moscow, 127015  
www.nilfisk.ru

**SOUTH AFRICA**

WAP South Africa (Pty) Ltd  
12 Newton Street  
1620 Spartan, Kempton Park  
www.wap.co.za

**SPAIN**

Nilfisk-Advance, S.A.  
Torre D'Ara  
Passeig del Rengle, 5 Plta. 10ª  
Mataró, E-0830222  
www.nilfisk.es

**SWEDEN**

Nilfisk  
Sjöbjörnsvägen 5  
117 67 Stockholm  
www.nilfisk.se

**SWITZERLAND**

Nilfisk-Advance AG  
Ringstrasse 19  
Kirchberg/Industrie Stelz  
Wil, CH-9500  
www.nilfisk.ch

**TAIWAN**

Nilfisk-Advance Ltd.  
Taiwan Branch (H.K.)  
No. 5, Wan Fang Road, Taipei  
www.nilfisk-advance.com.tw

**THAILAND**

Nilfisk-Advance Co. Ltd.  
89 Soi Chokechai-Ruammitr  
Viphavadee-Rangsit Road  
Jomphol, Jatuchak  
Bangkok 10900  
www.nilfisk.com

**TURKEY**

Nilfisk-Advance Prof. Tem. Ek. Tic. A.S.  
Şerifali Mh. Bayraktar Bulv. Sehit Sk. No: 7  
Ümraniye, Istanbul 34775  
www.nilfisk.com.tr

**UNITED KINGDOM**

Nilfisk (A Division of Nilfisk-Advance Ltd)  
Nilfisk House  
24 Hillside Road  
Bury St Edmunds, Suffolk  
IP32 7EA  
www.nilfisk.co.uk

**UNITED ARAB EMIRATES**

Nilfisk-Advance Middle East Branch  
SAIF-Zone, P. O. Box 122298  
Sharjah  
www.nilfisk.com

**VIETNAM**

**Northern**  
Nilfisk-Advance Co.Ltd.  
No.51 Doc Ngu Str.  
Lieu Giai Ward  
Ba Dinh Dist. Hanoi  
www.nilfisk.com

**Southern**

Pan Trading JSC  
236/43/2 Dien Bien  
Phu Str. Ward 17  
Binh Thanh Dist. HCMC  
www.nilfisk.com